

Feeding...

Screening...

Conveying...

State of the art

The ViPower range of TRP vibratory feeders, conveyors and screeners employ with two out of balance motors and produce a linear motion. The combination of a higher stroke and up to 1500 RPM motors feeds, conveys and screens your product to your specifications.

Employed in a wide range of industries from pet food through to recycling, the TRP range of vibratory feeders, conveyors and screeners are highly reliable and do not need a lot of maintenance.



Flexibility

Units are available with dimensions up to 6 meters in length and 2 meters in width. A wide range of options is available including covers, discharge chutes, screens and support stands. All models are available in mild steel or with 304 stainless steel contact parts.

Reliability

All machines within the ViPower TRP range come complete with a 12 month mechanical warranty. Laser profiling and "slot & tab" construction are extensively employed in our designs, ensuring optimum simplicity and durability. All major components such as motors and isolators, have an expected working life in excess of 30,000 hours.

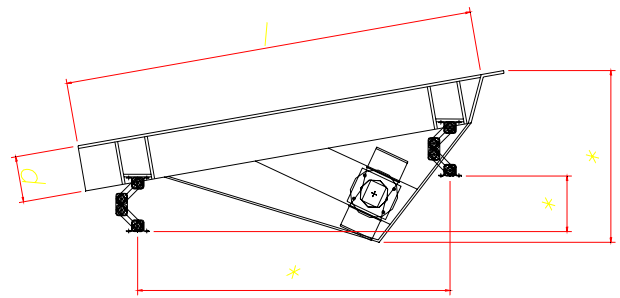
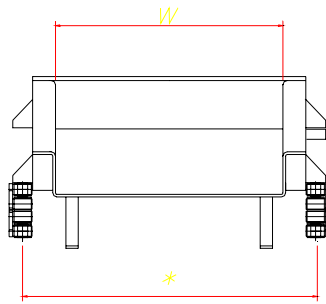
Precision

For applications where variable or metered feeds are required, the TRP range can be operated in conjunction with an electronic frequency inverter control. Also the motors can be optional supplied with a phase-reversal brake unit, to minimise out of balance when stopping.



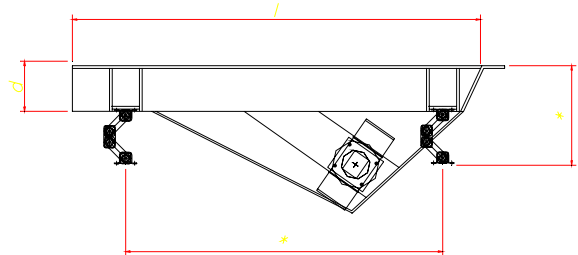
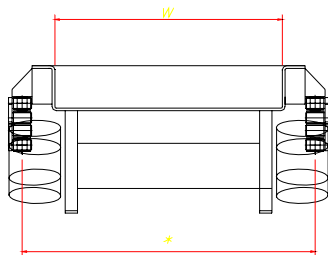
For more information, please contact ViPower Europe BV.

ViPower Europe BV
 Waardsedijk-Oost 6a
 3417 XJ Montfoort
 The Netherlands
 Ph.: +31 (0)348 413405
 Fax +31 (0)348 431378
 Email: info@vipower.nl



* dimensions on request

Model No.	L	W	D	kW	weight (kg)
TRPF 1000 x 500	1000	500	200	2 x 0,6	245
TRPF 1500 x 500	1500	500	200	2 x 0,6	315
TRPF 2000 x 500	2000	500	200	2 x 0,6	415
TRPF 1500 x 1000	1500	1000	300	2 x 0,6	545
TRPF 2000 x 1000	2000	1000	300	2 x 0,95	660
TRPF 2500 x 1000	2500	1000	300	2 x 0,95	710
TRPF 3000 x 1000	3000	1000	300	2 x 1,0	780
TRPF 3500 x 1000	3500	1000	300	2 x 2,8	870
TRPF 2000 x 1500	2000	1500	400	2 x 1,0	820
TRPF 2500 x 1500	2500	1500	400	2 x 1,0	890
TRPF 3000 x 1500	3000	1500	400	2 x 2,8	980
TRPF 3500 x 1500	3500	1500	400	2 x 2,8	1120
TRPF 4000 x 1500	4000	1500	400	2 x 3,6	1340
TRPF 4500 x 1500	4500	1500	400	2 x 3,6	1610



* dimensions on request

Model No.	L	W	D	kW	weight (kg)
TRPC 1000 x 500	1000	500	200	2 x 0,6	245
TRPC 1500 x 500	1500	500	200	2 x 0,6	315
TRPC 2000 x 500	2000	500	200	2 x 0,6	415
TRPC 1500 x 1000	1500	1000	300	2 x 0,6	545
TRPC 2000 x 1000	2000	1000	300	2 x 0,95	660
TRPC 2500 x 1000	2500	1000	300	2 x 0,95	710
TRPC 3000 x 1000	3000	1000	300	2 x 1,0	780
TRPC 3500 x 1000	3500	1000	300	2 x 2,8	870
TRPC 2000 x 1500	2000	1500	400	2 x 1,0	820
TRPC 2500 x 1500	2500	1500	400	2 x 1,0	890
TRPC 3000 x 1500	3000	1500	400	2 x 2,8	980
TRPC 3500 x 1500	3500	1500	400	2 x 2,8	1120
TRPC 4000 x 1500	4000	1500	400	2 x 3,6	1340
TRPC 4500 x 1500	4500	1500	400	2 x 3,6	1610

TRPT TUBULAR CONVEYORS AND TRPS SCREENS ARE AVAILABLE (SINGLE OR DOUBLE DECK).

Twin Rotary Powered